

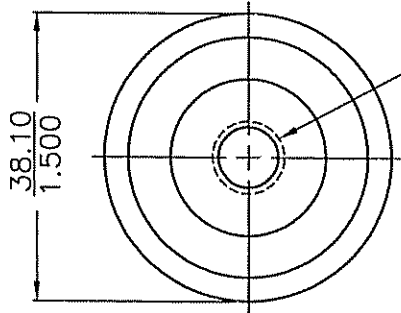
CONFIDENTIAL. THE INFORMATION CONTAINED IN THIS DOCUMENT IS THE PROPERTY OF COOPER INDUSTRIES, INC. IT IS NOT FOR PUBLIC DISCLOSURE. POSSESSION OF THE INFORMATION DOES NOT CONVEY ANY RIGHT TO LOAN, SELL OR DISCLOSE THE INFORMATION. UNAUTHORIZED REPRODUCTION OR USE OF THE INFORMATION IS PROHIBITED. THIS DOCUMENT IS TO BE RETURNED TO COOPER INDUSTRIES, INC. UPON COMPLETION OF THE PURPOSE FOR WHICH IT IS LOANED OR UPON REQUEST.

COPYRIGHT Cooper Industries, Inc. This is an unpublished work. The disclosure of this work is limited to select personnel. Further dissemination or disclosure to the public is PROHIBITED. This unpublished work is protected by Federal Copyright law and all rights thereunder are reserved by Cooper Industries, Inc.

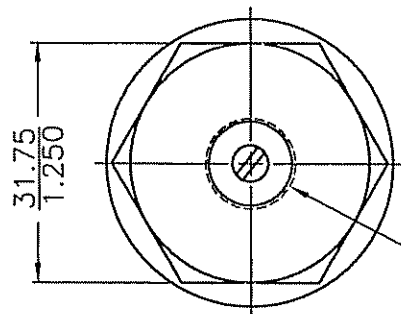
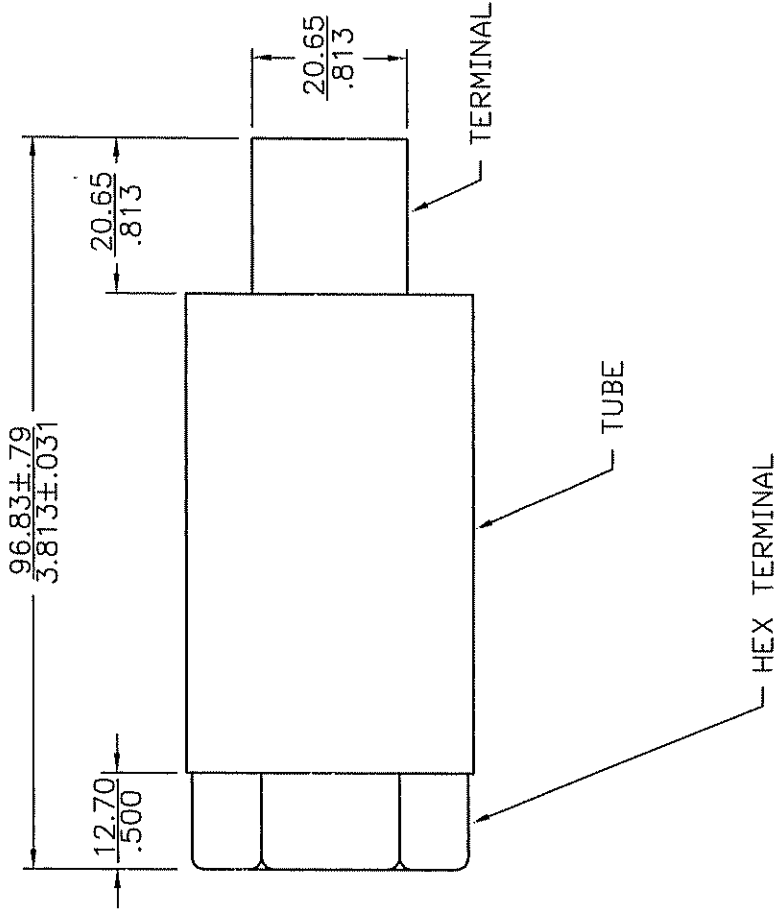
SCALE	UNLESS OTHERWISE SPECIFIED TOLERANCES TO BE:	DATE	NO.
FULL	METRIC ±.38mm INCHES ±.015" ANGULAR ±2°	4-1-05	KGJ 175-300
▲ (O) INDICATES CRITICAL DIMENSION OR FEATURE		TITLE	
PAGE 1 OF 2		LIMITRON® FUSE	
		SUP. NO.	DATED
		KGJ 175-250	12-6-95
DWG	CK.	CHANGE	
MBF		D	
ENG		SB05040	

METRIC(mm)
INCHES

Ⓢ REVISED & REDRAWN



$\frac{3}{8}$ -16 THREADS
 $\frac{12.70}{.500}$ DEEP



$\frac{1}{2}$ -13 THREADS
 $\frac{17.48}{.688}$ DEEP

St. Louis, MO 63178		
DISTRIBUTION	56	J
64248		

CUSTOMER PRINT

AMP RATINGS	
175 AMP -	KGJ 175
200 AMP -	KGJ 200
225 AMP -	KGJ 225
250 AMP -	KGJ 250
300 AMP -	KGJ 250

NOTES:

1) TERMINALS ARE SILVER PLATED